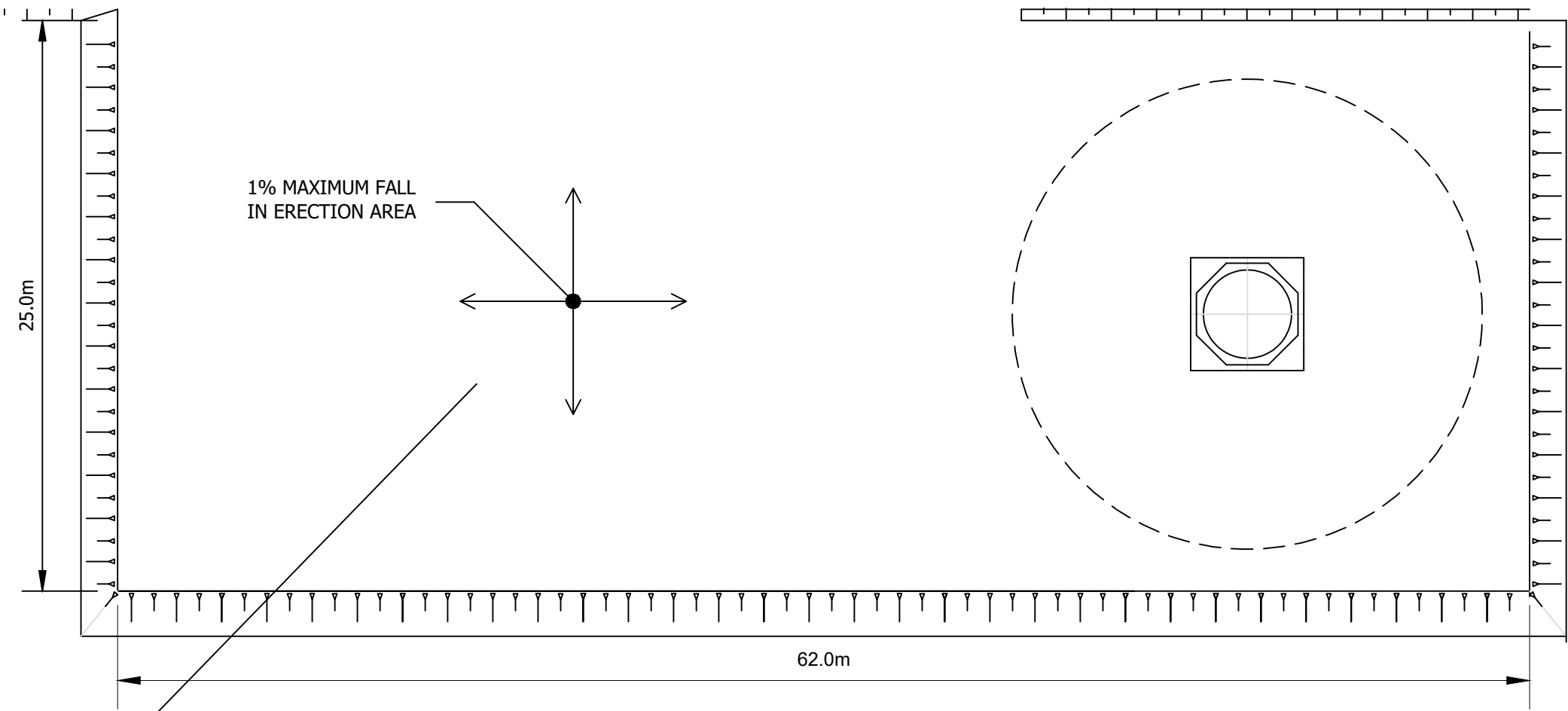




Notes:
1.

Legend:

TEMPORARY LAYDOWN AREA/WORKING AREA



CRANE HARDSTANDING - CONSTRUCTION TO BE MINIMUM 600mm THICK (VARIED TO SUIT LOCATION) ON GEOTEXTILE, TO ACHIEVE BEARING CAPACITY WHICH MEETS CRANE PRESSURE REQUIREMENTS.

TYPICAL CRANE HARDSTAND ARRANGEMENT

Rev	Amendments	Date	By	Chk	Auth



www.slrconsulting.com

Drawing Status & Suitability Code
DRAFT FOR COMMENT

Client
MOORSHIELD WIND FARM LTD.

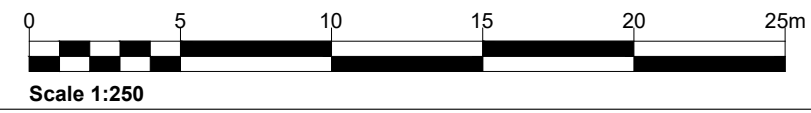
Project
MOORSHIELD WIND FARM

Drawing Title
TYPICAL CRANE HARDSTANDING

Scale
1:250 @ A3 SLR Project No.
405.064907.00001

Designed	Drawn	Checked	Authorised
	FG	MF	
Date	Date	Date	Date
	12/06/2023	16/06/2023	

Drawing Number
405.064907.00001.00007 Rev.
00



Y:\UK\132940 Moorshield Wind Farm - LA\405 064907 0001 Moorshield WF Resubmission\Tech\GIS\DWG\Wk\Eng\2023 06 Site Layout\405 064907 0001 0007 0 Typical Crane Hardstanding.dwg