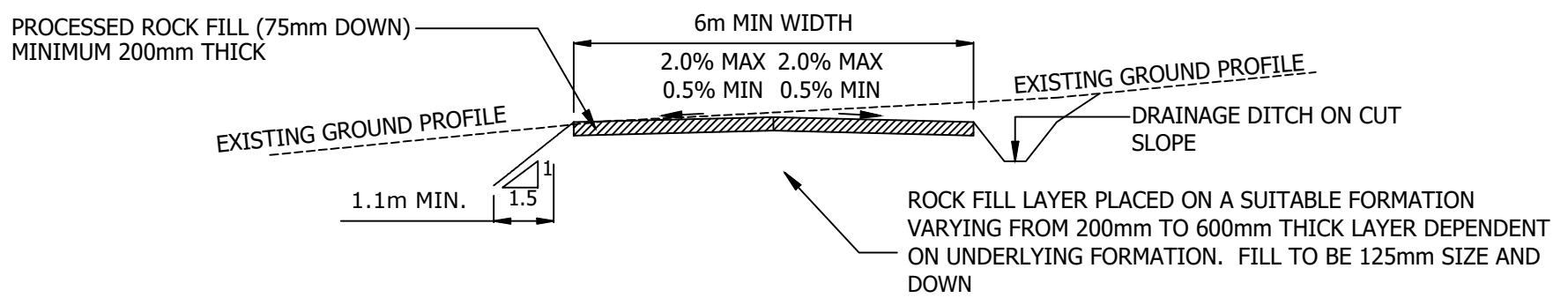
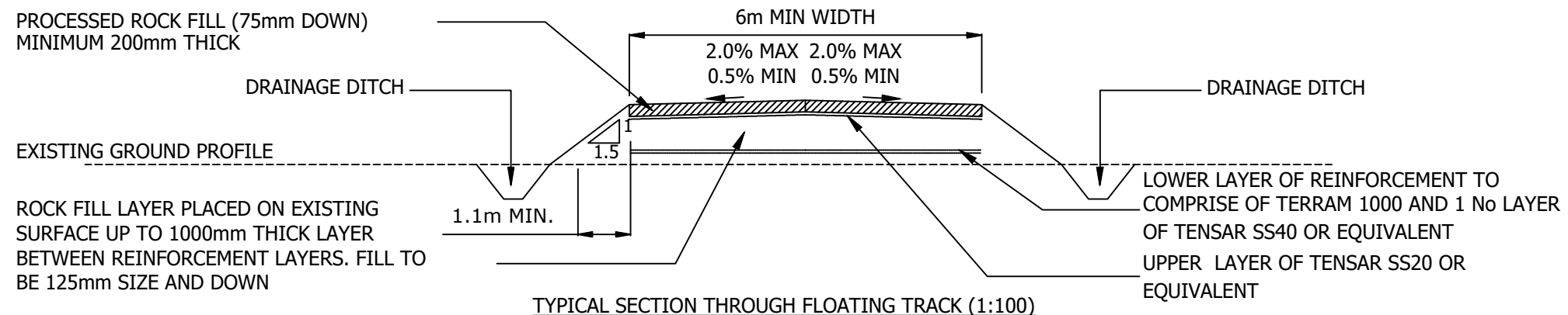


Notes:  
1.

Legend:



TYPICAL SECTION THROUGH EXCAVATED TRACK (1:100)



TYPICAL SECTION THROUGH FLOATING TRACK (1:100)



Scale 1:100

Rev	Amendments	Date	By	Chk	Auth
 <a href="http://www.slrconsulting.com">www.slrconsulting.com</a>					
<b>DRAFT FOR COMMENT</b>					
Client: MOORSHIELD WIND FARM LTD.					
Project: MOORSHIELD WIND FARM					
Drawing Title: TYPICAL SECTION THROUGH TRACK					
Scale: 1:100 @ A3		SLR Project No: 405.064907.00001			
Designed	Drawn	Checked	Authorised		
	FG	MF			
Date	Date	Date	Date		
	12/06/2023	16/06/2023			
Drawing Number: 405.064907.00001.00005					Rev: 00