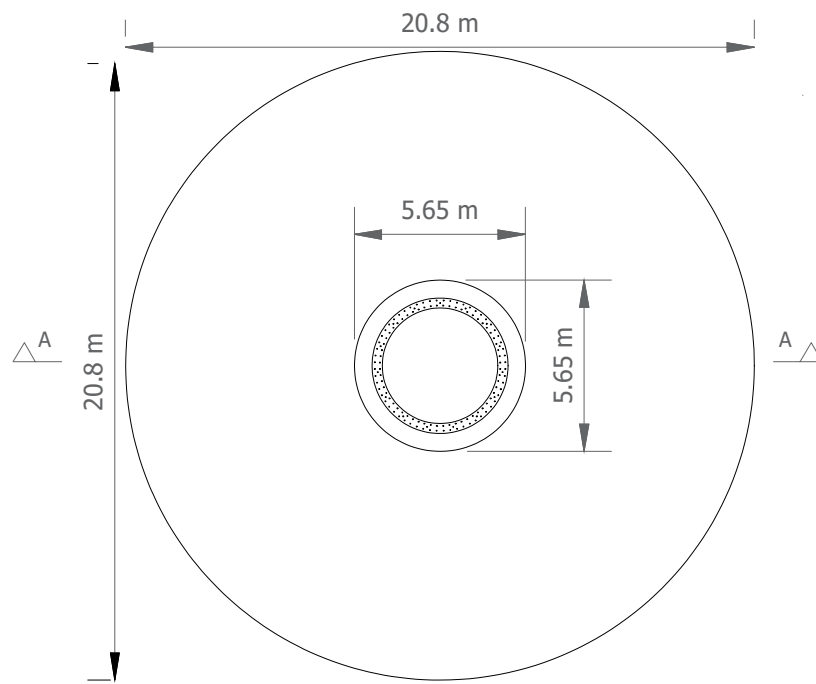
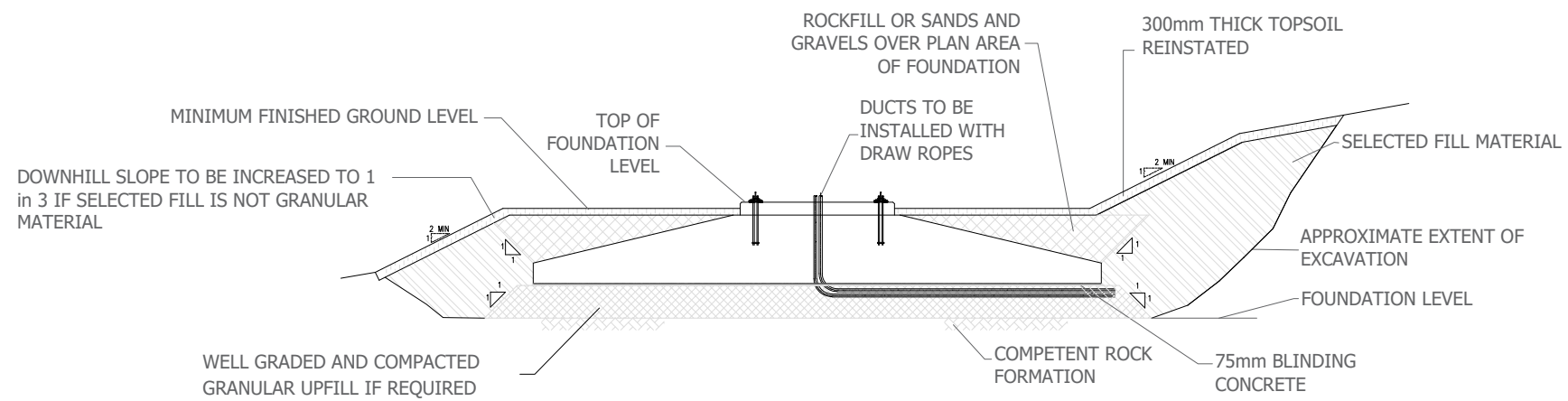


Notes:  
1.

Legend:



PLAN ON TYPICAL TURBINE FOUNDATION



SECTION THROUGH TYPICAL TURBINE BASE

Rev	Amendments	Date	By	Chk	Auth



www.slrconsulting.com

Drawing Status & Suitability Code  
**DRAFT FOR COMMENT**

Client  
MOORSHIELD WIND FARM LTD.

Project  
MOORSHIELD WIND FARM

Drawing Title  
TYPICAL WIND TURBINE FOUNDATION

Scale  
1:250 @ A3 SLR Project No.  
405.064907.00001

Designed	Drawn	Checked	Authorised
	FG	MF	
Date	Date	Date	Date
	12/06/2023	16/06/2023	

Drawing Number  
405.064907.00001.00004 Rev.  
00



Scale 1:250

Y:\UK\132940 Moorshield Wind Farm - LA\05 064907 00001 Moorshield WF Resubmission\Tech\GIS\DWG\Wkng\2023 06 Site Layout\05 064907 00001 0004 0 Typical Wind Turbine Foundation.dwg