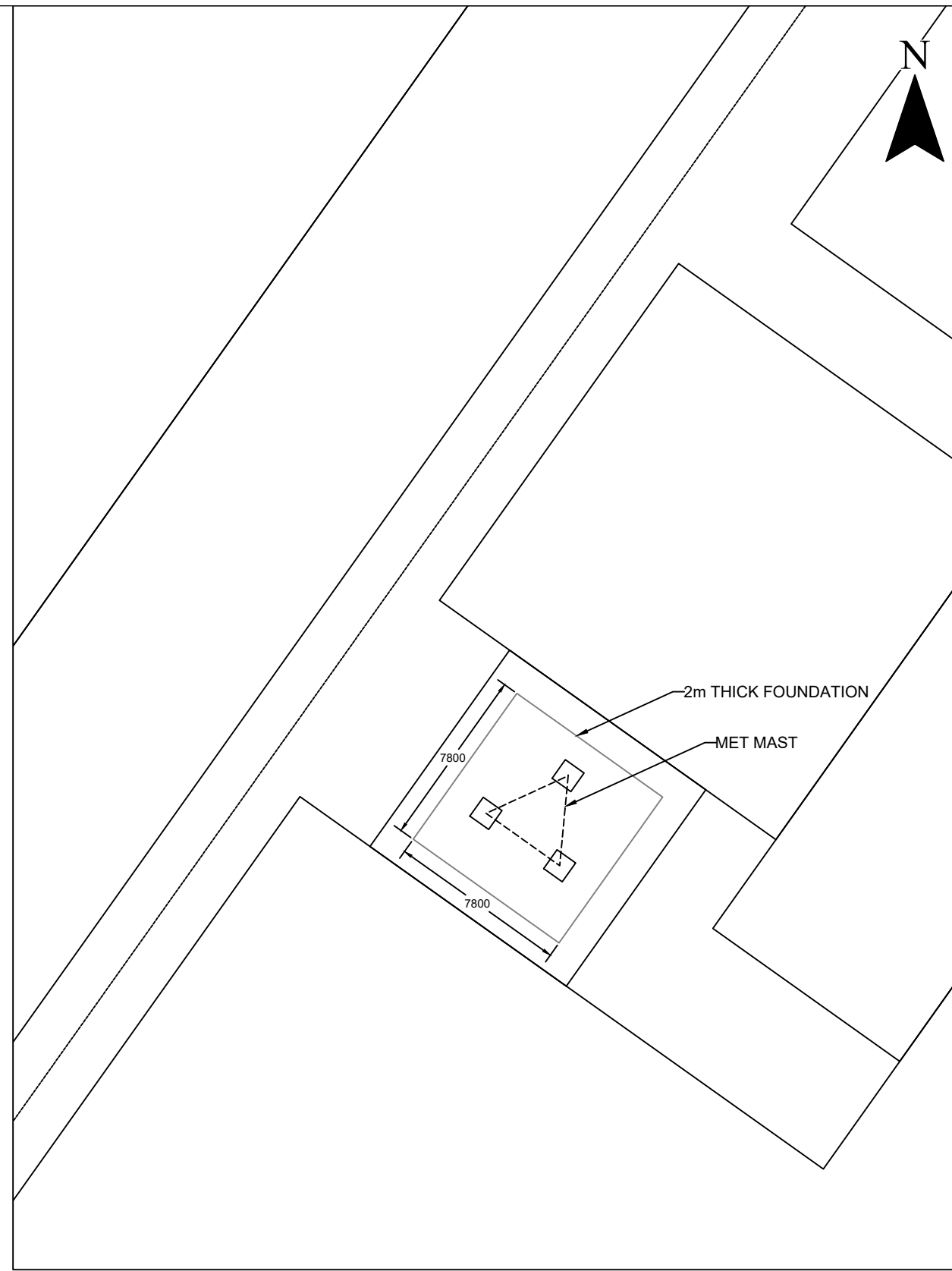
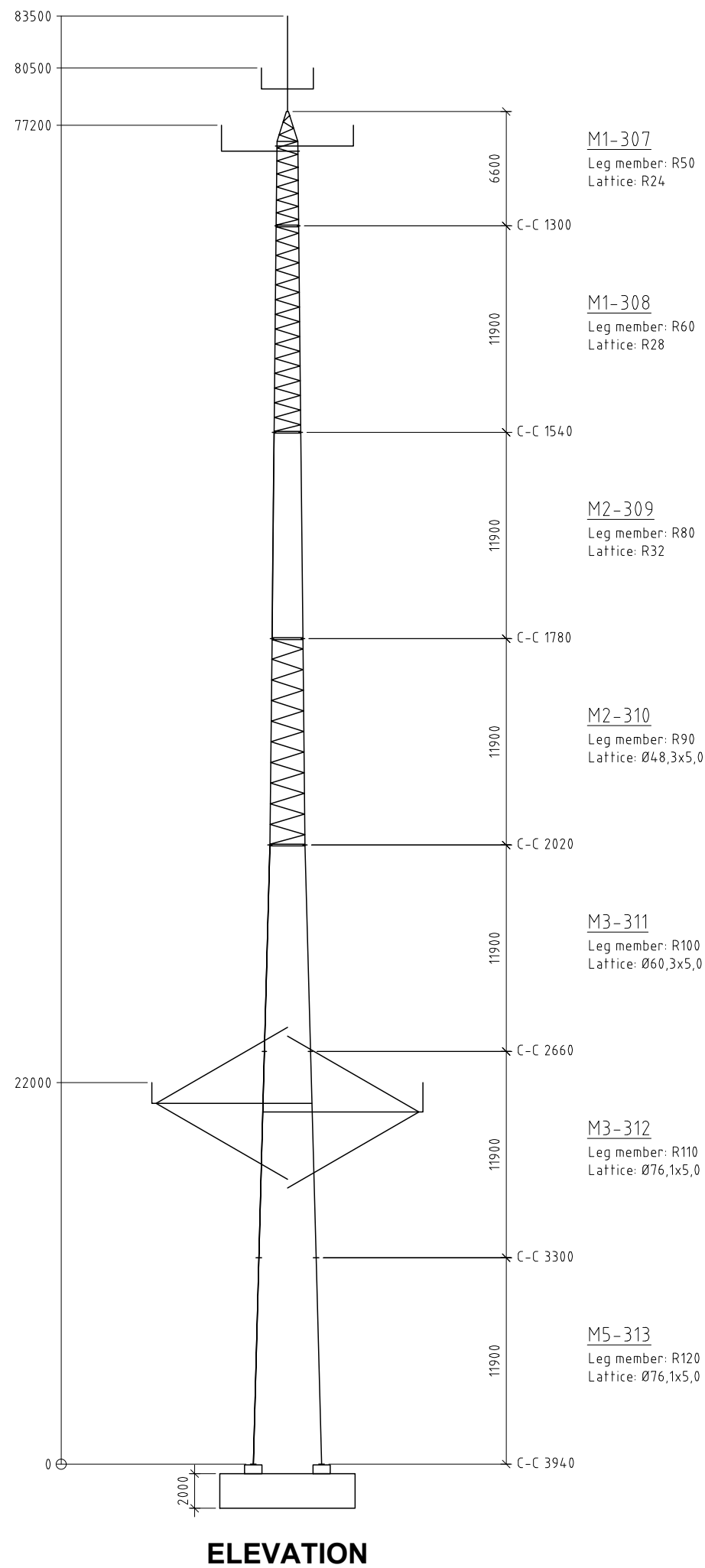


11223-00001.12.FIG3.12.1_Prop_Met_Mast.dwg



LEGEND

BALMEANACH WIND FARM LIMITED

SLR

4/5 LOCHSIDE VIEW
EDINBURGH PARK
EDINBURGH
EH12 9DH

T: +44 (0)131 335 6830
www.slrconsulting.com

BALMEANACH WIND FARM - EIA
DESCRIPTION OF DEVELOPMENT
PROPOSED MET MAST

FIGURE 3.12

Scale N.T.S. @ A3
Date JULY 2023